



**GAS COMPONENTS**



**ELECTRIC COMPONENTS**



**WATER TECHNOLOGY**



**MECHANICAL COMPONENTS**



**TOOLS**

Spare parts suitable for

**GEMINI FORNI**

Find the complete and up-to-date range of products in our GEV Webshop



# Manufacturer catalogue

The most important spare parts and accessories arranged clearly for every manufacturer

- ✓ Complete product range and all appliance data always up to date in the GEV Webshop
- ✓ Alphabetical Index at the end of the catalogue

## GEV Webshop

[www.gev-online.co.uk](http://www.gev-online.co.uk)

[www.gev-online.com](http://www.gev-online.com)




- 🔍 Add to Favourites
- 🔍 Sign In with email address and usual password
- 🔍 Easy-order – place several items in your basket at the same time
- 🔍 Quick Item search – no login needed



## heating elements

### heating elements for convection


			
1			
<b>GEV No.</b>	419159	<b>Ref. No.</b>	233044
<b>description</b>	heating element 2300W 230V heating circuits 1 ID ø 183mm ED ø 195mm L 235mm H 33mm L1 38mm W1 30mm H1 3mm H2 26mm flange length 70mm flange width 23mm hole distance 56mm connection male faston 6.3mm connection length 45mm tube ø 6.3mm convection heating element hole ø 5mm		

## thermostats

### control and safety thermostats

#### CAMPINI

##### control thermostats


			
1			
<b>GEV No.</b>	375934	<b>Ref. No.</b>	233116
<b>description</b>	thermostat t.max. 280°C temperature range 50-280°C 1-pole 1NO 16A probe ø 3mm probe L 185mm capillary pipe 960mm capillary pipe isolated 700mm gland nut shaft ø 6x4.6mm shaft L 23mm shaft position upper rotation 270° probe material SS 250V		

##### safety thermostats

			
1			
<b>GEV No.</b>	375892	<b>Ref. No.</b>	456508
<b>description</b>	safety thermostat switch-off temp. 318°C 1-pole 16A probe ø 3mm probe L 137mm capillary pipe 1260mm capillary pipe isolated 710mm gland nut probe SS type Ty 95-H		

## accessories

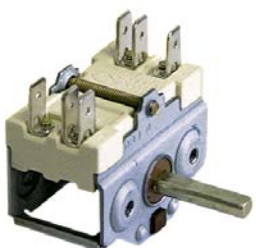

### connecting bows



			
1			
<b>GEV No.</b>	550060	<b>Ref. No.</b>	233118
<b>description</b>	connecting bow long for thermostat Qty 1 pcs		

## switches and momentary switches

### cam switches

#### operation switches

			
1			
<b>GEV No.</b>	300001	<b>Ref. No.</b>	233117
<b>description</b>	cam switch operation switch 16A sequence 0-1 shaft ø 6x4.6mm connection male faston 6.3mm 2-pole		
<b>accessories for</b>	300001		
	<b>GEV No.</b>	<b>Ref. No.</b>	—
	 gasket for switch ED ø 14mm ID ø 2.5mm thickness 3.5mm white		

			
			
1			
<b>GEV No.</b>	300200	<b>Ref. No.</b>	233117
<b>description</b>	operation switch 2 operating positions 2NO 16A sequence 0-1 shaft ø 6x4.6mm shaft L 23mm connection male faston 6.3mm operation switch ceramic		



## lamps

## indicator lights

## indicator lights (complete)

ø 9mm



<b>GEV No.</b>	359136	<b>Ref. No.</b>	233120
<b>description</b>	indicator light ø 9mm 230V green connection male faston 6.3mm temp.-resist. 120°C		

ø10mm

with plug-in socket



<b>GEV No.</b>	359139	<b>Ref. No.</b>	233120
<b>description</b>	indicator light ø 10mm green 230V connection male faston 6.3mm Qty 1 pcs		



<b>GEV No.</b>	359138	<b>Ref. No.</b>	N/A
<b>description</b>	indicator light ø 10mm red 230V connection male faston 6.3mm Qty 1 pcs		



<b>GEV No.</b>	359140	<b>Ref. No.</b>	N/A
<b>description</b>	indicator light ø 10mm yellow 230V connection male faston 6.3mm Qty 1 pcs		

ø12mm

with screw socket



<b>GEV No.</b>	359048	<b>Ref. No.</b>	456512
<b>description</b>	indicator light ø 12mm 230V yellow connection male faston 6.3mm		



<b>GEV No.</b>	359027	<b>Ref. No.</b>	456511
<b>description</b>	indicator light ø 12mm 250V green connection male faston 6.3mm		

## screw-on/push-on fit

## light bulbs

for ovens



<b>GEV No.</b>	359612	<b>Ref. No.</b>	233104
<b>description</b>	light bulb t.max. 300°C socket E14 25W 230V ø 25mm L 56mm lens L 30mm for oven lamp type Philips		



## oven lamps

## universal oven lamps

mounting diameter 35.5mm



<b>GEV No.</b>	359718	<b>Ref. No.</b>	456518
<b>description</b>	oven lamp mounting ø 35.5mm 230V 15W socket E14 temp.-resist. 300°C connection male faston 6.3mm hard glas		

<b>spare parts for</b>	359718			
	<b>GEV No.</b>	359701	<b>Ref. No.</b>	—
	lamp socket socket E14 220-230V mounting ø 35.5mm connection male faston 6.3mm 15W			
	<b>GEV No.</b>	359740	<b>Ref. No.</b>	—
	light bulb t.max. 300°C socket E14 15W 230V ø 22mm L 48mm lens L 20mm for oven lamp IMPORT			

55x100mm



<b>GEV No.</b>	359698	<b>Ref. No.</b>	550181
<b>description</b>	lamp socket L 100mm W 55mm socket E14 connection male faston 6.3mm		











<b>spare parts for</b>	359698			
	<b>GEV No.</b>	358119	<b>Ref. No.</b>	233185
	frame L 118mm W 72mm mounting distance 143mm for bulb socket			
	<b>GEV No.</b>	358122	<b>Ref. No.</b>	233054
	gasket L 112mm W 68mm silicone thickness 3mm for bulb socket			
	<b>GEV No.</b>	358123	<b>Ref. No.</b>	233186
	lamp glass L 112mm W 68mm			
	<b>GEV No.</b>	359612	<b>Ref. No.</b>	233104
	light bulb t.max. 300°C socket E14 25W 230V ø 25mm L 56mm lens L 30mm for oven lamp type Philips			


Table continues overleaf











<b>spare parts for</b> 359698			
	GEV No.	359714	Ref. No. N/A
gasket for bulb socket			
	GEV No.	359715	Ref. No. N/A
lamp glass L 110mm W 65mm thickness 5mm			
	GEV No.	359716	Ref. No. N/A
frame for bulb socket			
<b>accessories for</b> 359698			
	GEV No.	359612	Ref. No. 233104
light bulb t.max. 300°C socket E14 25W 230V ø 25mm L 56mm lens L 30mm for oven lamp type Philips			
	GEV No.	359938	Ref. No. —
borosilicate glass L 115mm W 69mm			



			
1			
<b>GEV No.</b>	359716	<b>Ref. No.</b>	N/A
<b>description</b>	frame for bulb socket		

			
1			
<b>GEV No.</b>	359714	<b>Ref. No.</b>	N/A
<b>description</b>	gasket for bulb socket		

			
1			
<b>GEV No.</b>	359715	<b>Ref. No.</b>	N/A
<b>description</b>	lamp glass L 110mm W 65mm thickness 5mm		


			
1			
<b>GEV No.</b>	359698	<b>Ref. No.</b>	550181
<b>description</b>	lamp socket L 100mm W 55mm socket E14 connection male faston 6.3mm		
<b>spare parts for</b> 359698			
	GEV No.	358119	Ref. No. 233185
frame L 118mm W 72mm mounting distance 143mm for bulb socket			
	GEV No.	358122	Ref. No. 233054
gasket L 112mm W 68mm silicone thickness 3mm for bulb socket			


<b>spare parts for</b> 359698			
	GEV No.	358123	Ref. No. 233186
lamp glass L 112mm W 68mm			
	GEV No.	359612	Ref. No. 233104
light bulb t.max. 300°C socket E14 25W 230V ø 25mm L 56mm lens L 30mm for oven lamp type Philips			
	GEV No.	359714	Ref. No. N/A
gasket for bulb socket			
	GEV No.	359715	Ref. No. N/A
lamp glass L 110mm W 65mm thickness 5mm			
	GEV No.	359716	Ref. No. N/A
frame for bulb socket			


<b>accessories for</b> 359698			
	GEV No.	359612	Ref. No. 233104
light bulb t.max. 300°C socket E14 25W 230V ø 25mm L 56mm lens L 30mm for oven lamp type Philips			
	GEV No.	359938	Ref. No. —
borosilicate glass L 115mm W 69mm			

## producer-specific oven lamps

### GEMINI FORNI

			
1			
<b>GEV No.</b>	358119	<b>Ref. No.</b>	233185
<b>description</b>	frame L 118mm W 72mm mounting distance 143mm for bulb socket		

			
1			
<b>GEV No.</b>	358122	<b>Ref. No.</b>	233054
<b>description</b>	gasket L 112mm W 68mm silicone thickness 3mm for bulb socket		

			
1			
<b>GEV No.</b>	358123	<b>Ref. No.</b>	233186
<b>description</b>	lamp glass L 112mm W 68mm		











			
1			
<b>GEV No.</b>	359698	<b>Ref. No.</b>	550181
<b>description</b>	lamp socket L 100mm W 55mm socket E14 connection male faston 6.3mm		
<b>spare parts for</b> 359698			
	GEV No.	358119	Ref. No. 233185
frame L 118mm W 72mm mounting distance 143mm for bulb socket			


Table continues overleaf



<b>spare parts for</b> 359698			
	GEV No.	358122	Ref. No. 233054
gasket L 112mm W 68mm silicone thickness 3mm for bulb socket			
	GEV No.	358123	Ref. No. 233186
lamp glass L 112mm W 68mm			
	GEV No.	359612	Ref. No. 233104
light bulb t.max. 300°C socket E14 25W 230V ø 25mm L 56mm lens L 30mm for oven lamp type Philips			
	GEV No.	359714	Ref. No. N/A
gasket for bulb socket			
	GEV No.	359715	Ref. No. N/A
lamp glass L 110mm W 65mm thickness 5mm			
	GEV No.	359716	Ref. No. N/A
frame for bulb socket			
<b>accessories for</b> 359698			
	GEV No.	359612	Ref. No. 233104
light bulb t.max. 300°C socket E14 25W 230V ø 25mm L 56mm lens L 30mm for oven lamp type Philips			
	GEV No.	359938	Ref. No. —
borosilicate glass L 115mm W 69mm			

## lamps

## light bulbs

	<b>PHILIPS</b>		
1			
GEV No.	359612	Ref. No.	233104
description	light bulb t.max. 300°C socket E14 25W 230V ø 25mm L 56mm lens L 30mm for oven lamp type Philips		


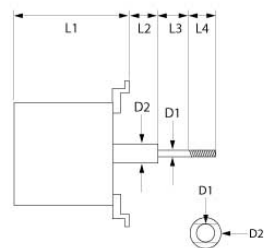


## timers

## mechanical timers

			
1			
GEV No.	350008	Ref. No.	100095
description	timer M2 with bell 2-pole operation time 120min impulse mechanical 2NO at 250V 16A permanent position yes shaft ø 6x4.6mm shaft 6x4.6mm shaft L 24mm mounting distance 28mm connection lateral		

## fans


## hot air motors

			
1			
GEV No.	601779	Ref. No.	233061
description	fan motor 230V 1 phase 50Hz L1 79mm L2 33mm L3 23mm L4 12mm D1 ø 6x8mm D2 ø 8mm		
<b>spare parts for</b> 601779			
	GEV No.	365009	Ref. No. —
operating capacitor capacity 2.5µF 400V tolerance 5% 50Hz ambient temperature max. -25 to +85°C ø 36.5mm L 55mm M8 plastic connection male faston 6.3mm 1.27.65C3 protection			
<b>accessories for</b> 601779			
	GEV No.	601780	Ref. No. 233062
fan wheel D1 ø 145mm H1 42mm blades 20 D2 ø 8mm D3 ø 6x8mm H2 19mm			

			
1			
GEV No.	601780	Ref. No.	233062
description	fan wheel D1 ø 145mm H1 42mm blades 20 D2 ø 8mm D3 ø 6x8mm H2 19mm		

## knobs

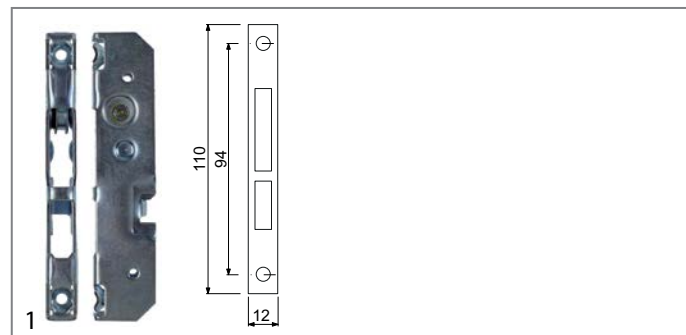
## producer-specific knobs

<b>GEMINI FORNI</b>			
			
1			
GEV No.	111460	Ref. No.	233130
description	knob switch zero mark ø 41mm shaft ø 6x4.6mm shaft flat upper black		



## hinges

### oven hinges



<b>GEV No.</b>	700003	<b>Ref. No.</b>	233029
<b>description</b>	opposite support L 110mm W 12mm mounting distance 94mm		

## gaskets

### gaskets for heated units

#### door seals with fixing hook



<b>GEV No.</b>	901481	<b>Ref. No.</b>	233067
<b>description</b>	oven gasket W 430mm with 6 mounting clips H 250mm		





**C**

cam switches 3

**D**

door seals with fixing hook 7

**F**

fans 6

**G**

gaskets for heated units 7

**H**

heating elements 3

heating elements for convection 3

hot air motors 6

**I**

indicator lights 4

indicator lights (complete) 4

**L**

lamps 4

light bulbs 4

**M**

mechanical timers 6

**O**

oven hinges 7

oven lamps 4

**S**

switches and momentary switches 3

**T**

thermostats 3

timers 6